

# 2M HD Analog IR Bullet

CBT3-12-R

## Features

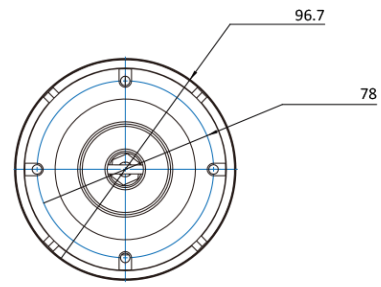
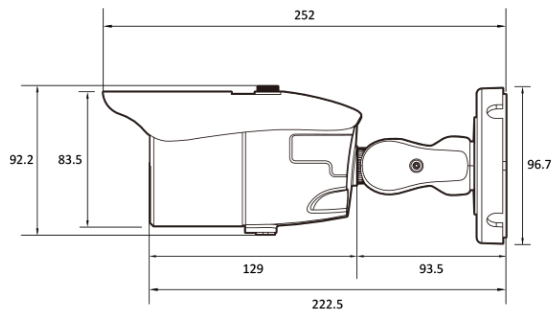
---

- Analog High Definition Universal over Coax Technology
- Analog High Definition Universal over UTP Technology
- Sens-up Super Low Light Technology
- 1/3" CMOS Sensor
- 1080P Resolution at 30fps
- Wide Dynamic Range (WDR)
- Varifocal P-Iris Lens from 6~50mm
- Smart IR™ with Intelligent Camera Sync. 150ft Range
- Smart DNR™ 3D Digital Noise Reduction
- Highlight Masking Exposure (HME)
- True Day/Night Mechanical IR Cut Filter
- Test Video-BNC Output
- Easy Icon Driven OSD Menu with Built-in Joystick
- Programmable Privacy Zones
- Auto Gain Control (AGC)
- Back Light Compensation (BLC)
- Dynamic Range Compressor (DRC) Reveals Low Light Detail
- Auto White Balance (AWB)
- IP66 Certified (Weather Resistant)
- OSD Control via Coax Cable using UTC
- RS485



Dimension (mm)

---



## Specification

### Video

Image Sensor	1/3" 2M CMOS
Num of Channels	1
Total Pixel	1956(H) x 1266(V)
Active Pixel	1944(H) x 1092(V)
Max Resolution	1920 X 1080
MIN. Illumination	Color(at Day) : 0.039Lux (F1.6, 30IRE) B/W(at Night) : 0 lux(With IR)
Video Output	AHD or TVI or CVI or CVBS
Only installer Video Output	CVBS
Signal Technology	Max 2M Megapixel Universal
Synchronization	Internal
Scanning Mode	Progressive Scan

### Lens

Focal Length	6~50mm
Aperture	F1.6
Lens Type	Vari-Focal
IRIS Type	P-IRIS
Horizontal Angle	D:102.2 , H:88 , V:47.8 (Wide) D:38 , H:33 , V:18.7 (Tele)

### Operational

Shutter Speed	1/30(25) - 1/30,000 Slow Shutter (OFF-x32)
Auto Gain Control (AGC)	Yes
Day & Night	TDN (True Day & Night)
Digital Noise Reduction	2D/3D DNR
Wide Dynamic Range (WDR)	Double Scan WDR
Dynamic Range	120dB or above
LEDs	35IR
LED Distance	150ft
Gamma	0.5
Function	Motion Detection Privacy Zone White Balance Backlight Mirror & Flip

### I/O & EVENT

Audio In / Out	No
Alarm In / Out	No
UTC Built-in	UTC

Electrical

Power Requirement	DC12V / AC24V Dual Voltage DC12V AC24V
Power consumption	DC(LED OFF) :3W (250mA) DC(LED ON) : 6W (500mA) AC(LED OFF) :2.7W (160mA) AC(LED ON) :5.5W (320mA)

Environmental

Operating Temperature	-20°C ~ 50°C
Cold Start	No
Operating Humidity	Less than 90%(Non-Condensing)
IK Rating	No
IP Rating	IP66
Other Certification	FCC CE ROHS

Mechanical

Housing Model	BT3
Housing	Outdoor Bullet
Material	Aluminum-Die Casting
Color	Dark Gray
Dimensions (W x D x H)	252mm 96.7mm 96.7mm
Weight	0.75kg

Compatible Accessories



**BJC07**

Junction Bracket



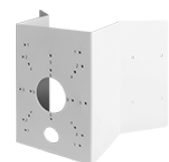
**BJC01**

Junction Bracket



**BP01**

Pole Mount Bracket



**BCO01**

Corner Mount Bracket