

# 4M IP MFZ IR Bullet

NBT5-44-RS

## Features

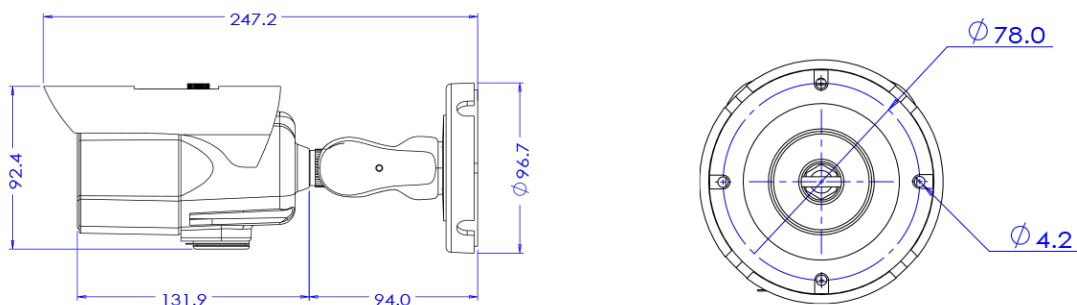
---

- 4MP camera
- 1/1.8" high sensitivity sensor
- Maximum resolution 2688 (horizontal) X 1520 (vertical) / 30fps
- Horizontal angle of view 90.5 degrees (wide angle) to 45.1 degrees (zoom) / Optical 2.7x
- Day & Night (ICR) / IR reach distance 31 meters
- Backlight compensation (WDR)
- SD/SDHC/SDXC memory slot
- PoE IEEE 802.3af/Class3
- IP67/IK09



## Dimension (mm)

---



## Specification

### Video

|                             |                                 |
|-----------------------------|---------------------------------|
| Image Sensor                | 1/1.8" 4.53M CMOS               |
| Channels                    | 1                               |
| Total Pixel                 | 2781(H) X 1632(V)               |
| Max Resolution              | 2688(H) X 1520(V)               |
| MIN. Illumination           | 0.024Lux<br>0Lux with IR (F1.5) |
| Only installer Video Output | 1 [CVBS 1.0V p-p (75Ω)]         |
| S/N(signal/noise) Ratio     | 50dB                            |
| Scanning Mode               | Progressive Scan                |

### Lens

|                   |   |
|-------------------|---|
| Focal Length      | 3.6-10mm                                    |
| Aperture          | F1.5  |
| Lens Type         | Motorized_Varifocal                         |
| IRIS Type         | P-IRIS                                      |
| Horizontal Angle  | D:51.5 ~104.6 , H:45.1 ~90.5 , V:25.3 ~54.3 |
| Pan / Tilt / Zoom | Zoom :X2.7 Optical                          |

### Operational

|                          |   |
|--------------------------|---|
| Shutter Speed            | Auto / Manual (1/15 ~ 1/32000) Anti-Flicker Slow Shutter(1/2,1/3,1/5,1/6,1/7.5, 1/10) |
| Auto Gain Control (AGC)  | Auto  |
| Day & Night              | TDN (True Day & Night)  |
| Digital Noise Reduction  | 3D DNR  |
| Wide Dynamic Range (WDR) | WDR(2x)   |
| Dynamic Range            | 120dB or above  |
| LEDs                     | H6IR  |
| LED Distance             | 100ft(31m)  |
| Privacy Zone             | Yes   |
| Function                 | Motion-Detection Mirror&Flip  |

### Intelligent Video Analytic

|                               |    |
|-------------------------------|----|
| AI Intelligent Video Analytic | No |
|-------------------------------|----|

### Encoder (video & audio)

|                   |                   |
|-------------------|-------------------|
| Video Compression | H.264 H.265 MJPEG |
|-------------------|-------------------|

**Encoder (video & audio)**

|  |  |
|--|--|
| Support Resolution                     | H.265 : 2688x1520/2304x1296/1920x1080/1280x720/704x480/640x480/352x288/352x240<br>H.264 : 2688x1520/2304x1296/1920x1080/1280x720/704x480/640x480/352x288/352x240<br>MJPEG : 1920x1080/1280x720/800x600/768x432/704x576/704x480/640x480/352x288/352x240 |
| Intelligent Codec                      | Yes  |
| Multiple Profile Streaming Performance | Triple Streaming(3rd Only MJPEG)   |
| Video BitRate                          | 100Kbps~10Mbps   |
| Bitrate Control                        | Multi Streaming CBR/VBR at H.264,H.265 (Controllable frame rate and Bandwidth)   |
| Video Bitrate extra comment            | Multi-rate for Preview and Recording   |
| Audio Compression                      | G.711 ulaw   |
| Special Feature                        | Dynamic ROI(Region of Interest) Smart LBR  |

**I/O & Event**

|                    |   |
|--------------------|---|
| Audio In / Out     | 1 Line Input[1.0Vrms, 3K ohm]/1 Line Output   |
| Alarm In / Out     | 1 Line/1 Line   |
| Mic                | No  |
| Event Trigger      | Motion Alarm Network Disconnection Temperature Critical Illegal Login Schedule Sensor Detection |
| Event Notification | FTP E-Mail Alarm Out SD Card  |

**Network**

|                                 |  |
|---------------------------------|--|
| Ethernet                        | RJ45 (10/100Base-T)  |
| Protocol                        | TCP/IP UDP AutoIP RTP(UDP/TCP) RTSP NTP HTTP HTTPS SSL DNS DDNS DHCP FTP SMTP ICMP SNMPv1/v2/v3(MIB-2) ONVIF |
| Security                        | HTTPS(SSL) IP filtering 802.1x Digest Authentication   |
| Application Programming I/F     | CGI API ONVIF  |
| Web viewer                      | MS Edge® Google Chrome®  |
| Video management software (VMS) | DW Spectrum® IPVMS   |
| Support languages               | English Korean Japanese  |
| Edge storage                    | Micro SD Micro SDHC Micro SDXC   |
| SD Card Socket                  | 1  |

**Electrical**

|                   |  |
|-------------------|--|
| Power Requirement | Adaptor is not included DC12V PoE IEEE 802.3af Class3  |
| Power consumption | DC Max: 10.4W(12VDC 0.87A) PoE Max: 13.5W(48VDC 0.28A) |

**Environmental**

|                       |              |
|-----------------------|--------------|
| Operating Temperature | -20°C ~ 50°C |
| Cold Start            | -40°C        |

Environmental

|                     |                           |
|---------------------|---------------------------|
| Operating Humidity  | 10-90% RH(Non-Condensing) |
| Vandal Proof Casing | IK09                      |
| IP Rating           | IP67                      |
| Other Certification | FCC CE ROHS               |

Mechanical

|                        |                      |
|------------------------|----------------------|
| Housing Model          | BT5                  |
| Housing                | Outdoor Bullet       |
| Material               | Aluminum-Die Casting |
| Color                  | Dark Gray            |
| Dimensions (W x D x H) | 247.2mm<br>96.7mm    |
| Weight                 | 0.9kg                |

Compatible Accessories



**BJC11**

JUNCTION BRACKET



**BJC07**

Junction Bracket



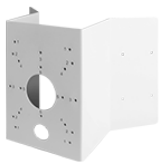
**BJC01**

Junction Bracket



**BP01**

Pole Mount Bracket



**BCO01**

Corner Mount Bracket