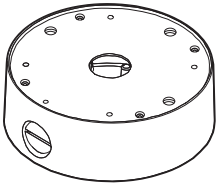


1. Accessories & Dimension

☒ Please check if all the camera and accessories are included in the package.

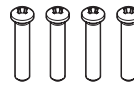
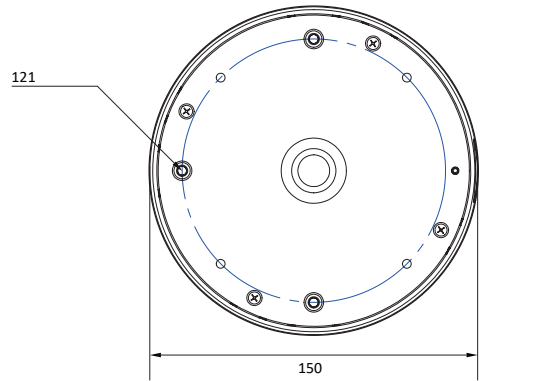


Wall Mount Junction Manual Wall Mount & Junction Bracket

Quick Manual

Ver. 1.0 / 2021.07

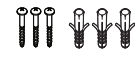
Before installing and using the Camera, please read this manual carefully.
Be sure to keep it handy for future reference.



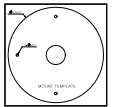
Junction Bracket
Screw - 4pcs



Gang Plate
Screw - 3pcs

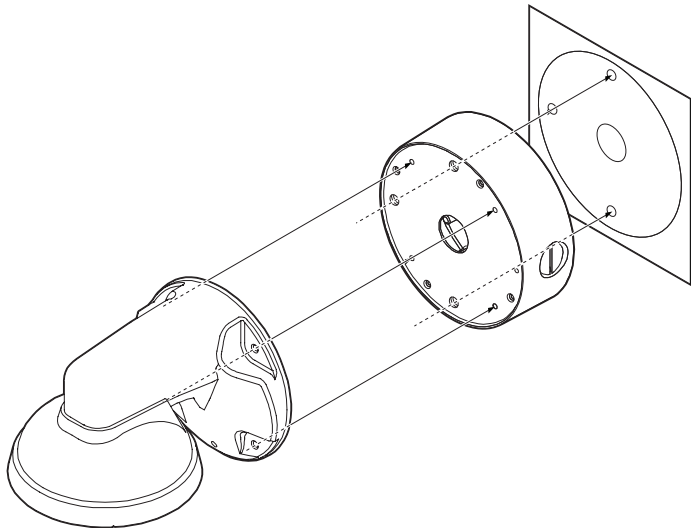


Screw &
Plastic Anchor - 3pcs



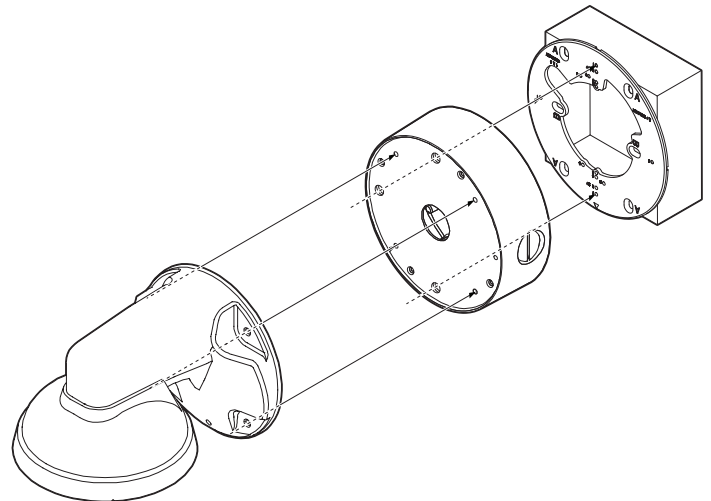
Mount Template

2. Installation



Mount Template Version

- 1 Using provided template sheet, make holes on the ceiling panel in the desired location.
- 2 Install the anchor at 3POINT and fix the Wall junction bracket with screw accordingly.
- 3 Insert the Mount Pad into the Wall bracket.
- 4 Fasten the enclosed screw with the Wall bracket and Wall junction bracket according to the binding hole.



Gang Box Version

- 1 Align the Wall junction bracket with the Gang plate No. 1 hole and fix it with the included screw.
- 2 Insert the Mount Pad into the Wall bracket.
- 3 Fasten the enclosed screw with the Wall bracket and Wall junction bracket according to the binding hole.