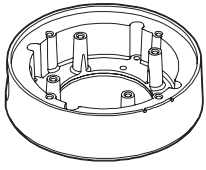


1. Dimension & Accessories

☒ Please check if all the camera and accessories are included in the package.

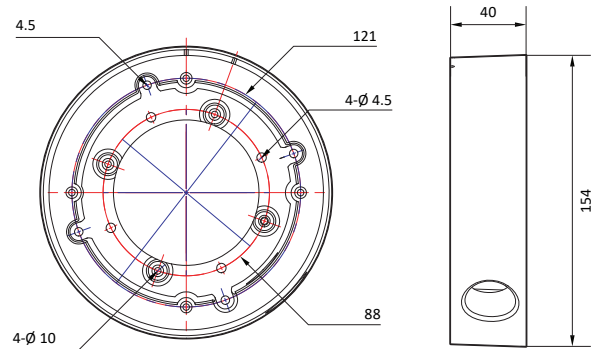


Junction Box Manual Outdoor Dome Camera

Quick Manual

Ver. 1.0 / 2021.05

Before installing and using the Camera, please read this manual carefully.
Be sure to keep it handy for future reference.



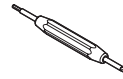
Mount
Screw 4ea



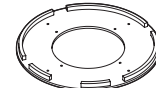
Screw &
Plastic Anchor-4pcs



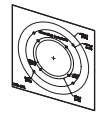
Manual



Allen Wrench

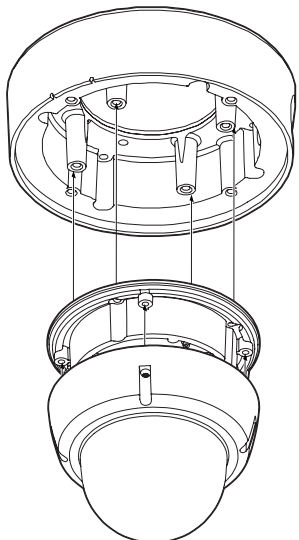


Bottom Pad



Template Sheet

2. Installation



- 1 Using provided template sheet, make holes on the ceiling panel in the desired location.
- 2 By tightening four screws provided, attach the mount bracket on the panel.
- 3 Connect the cables respectively.
- 4 After passing the cables through the hole in the bottom of bracket, align the orientation of screws in the camera mechanism to be assembled into the mount.